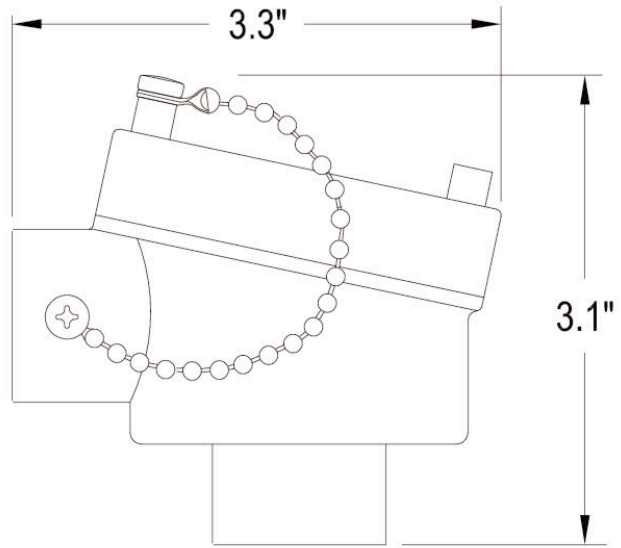


## Explosion-Proof Stainless Steel Connection Head Code 16



- Meets NEMA 4, 4X and FM/CSA Certification: Class I, Div. I, Groups B, C & D & Class II, Div. I, Groups E, F & G requirements.
- Standard style instrument connection head suitable for temperature sensor assemblies.
- Connection head supplied with terminal block unless a Weed Instrument Sensor Mate<sup>®</sup> temperature transmitter is ordered.

Code	Description
16	<b>Explosion-Proof Stainless Steel</b>
Code	General Extension Style and Material
A	None. For sensors with threaded instrument connections (i.e. model 305); or when ordered as a stand alone.
F	Nipple extension - Series 300 stainless steel (F=00 for close nipple).
G	Nipple/union Series 300 stainless steel 3" minimum.
H	Nipple/union/nipple Series 300 stainless steel 3" minimum.
J	Union/nipple - Series 300 stainless steel 3" minimum.
Code	Extension Length ("B" Dimension)
00	0" (close nipple)
10	1" (nipple extension only)
20	2" (nipple extension only)
30	3" (minimum with union)
40	4"
50	5"
60	6"
Other	Specify length
Code	Code Head Connection (Instrument . x Conduit)
A	1/2" NPT x 1/2" NPT
D	1/2" NPT x 3/4" NPT - <b>Industry Standard.</b>
Code	Gasket Type
1	Weatherproof - 200°F maximum - <b>Industry Standard.</b>

16	A	00	D	1

Sample Model Number  
Your Model Number

