

Thermowells - Other



Limited Space for 1/4" Diameter Sensors
Used where short insertion length is necessary as in short legs of tees, etc.



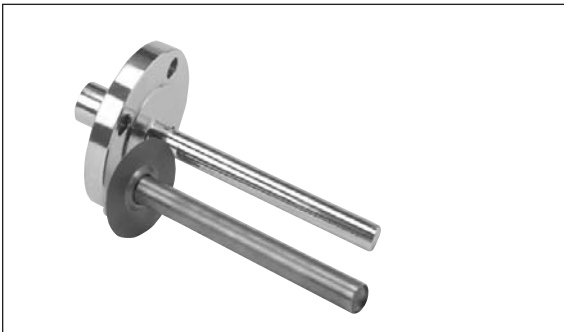
General Purpose Test for 3/8" Diameter Sensors
Used in armored liquid-in-glass test thermometers.



Series 445S
Fits liquid-in-glass thermometers to SAMA Standards. Also meets GG-T-321C Standards.



Series 445L Lagging Extension Type
Fits liquid-in-glass thermometers to SAMA Standards. Also meets GG-T-321C Standards.



Tantalum Jackets
Covers the insertion length and raised face area of the flange. Used in applications where corrosion resistance is critical.



Teflon
Ideal for measuring temperature in acid solutions or other caustic environments where the temperature is under 400°F at atmospheric pressure.