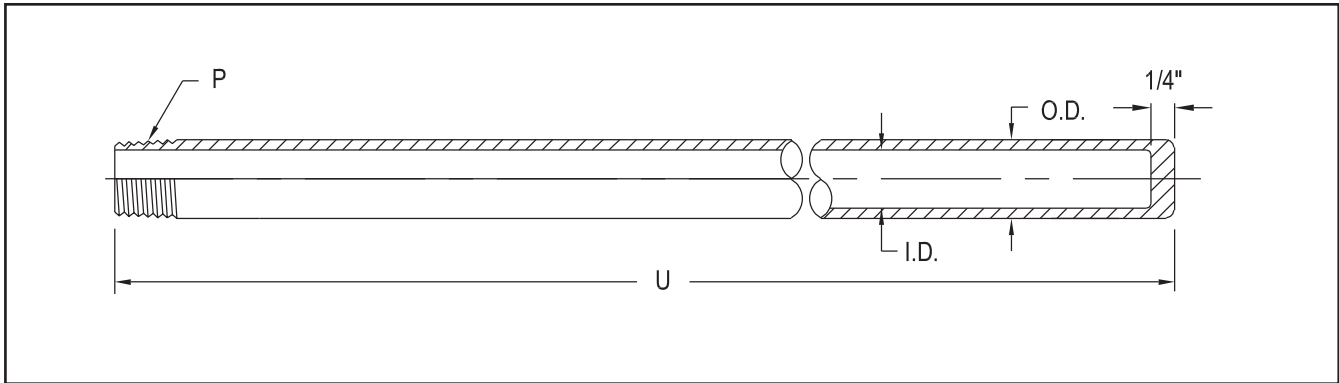
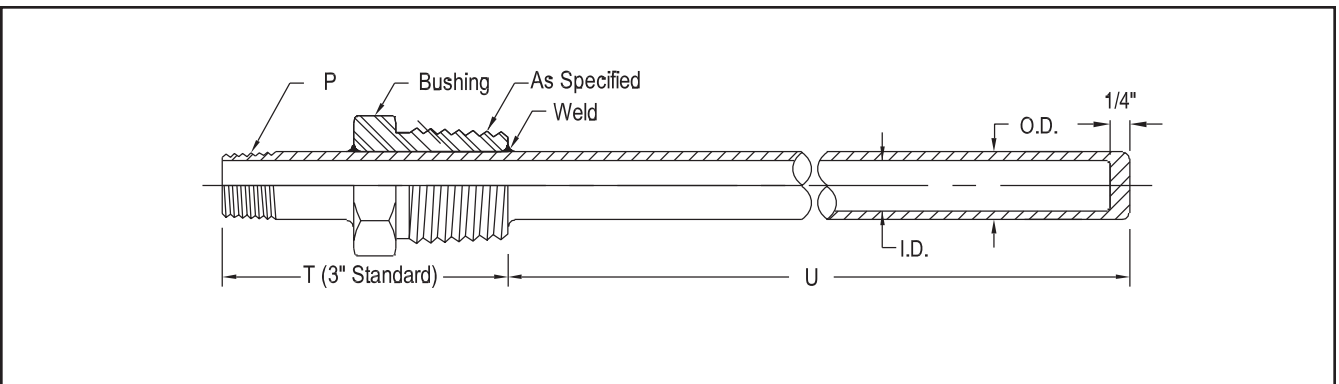


Thermowells

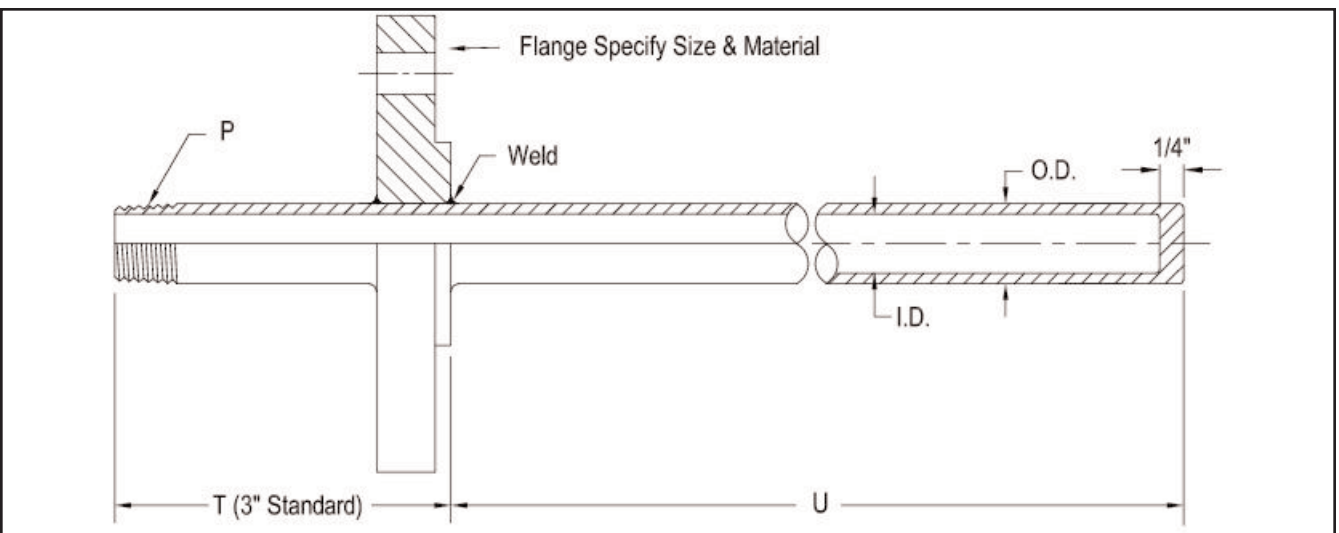
Metal Protection Tubes (P, PB & PF)



Protection Tube - (P)



Protection Tube with Bushing - (PB)



Protection Tube with Flange - (PF)

Protection tubes are available in various ID's and OD's. They can also be ordered with threaded or flanged process connections.